

DV RANGE

DRY VACUUM PUMPS



DV-3V

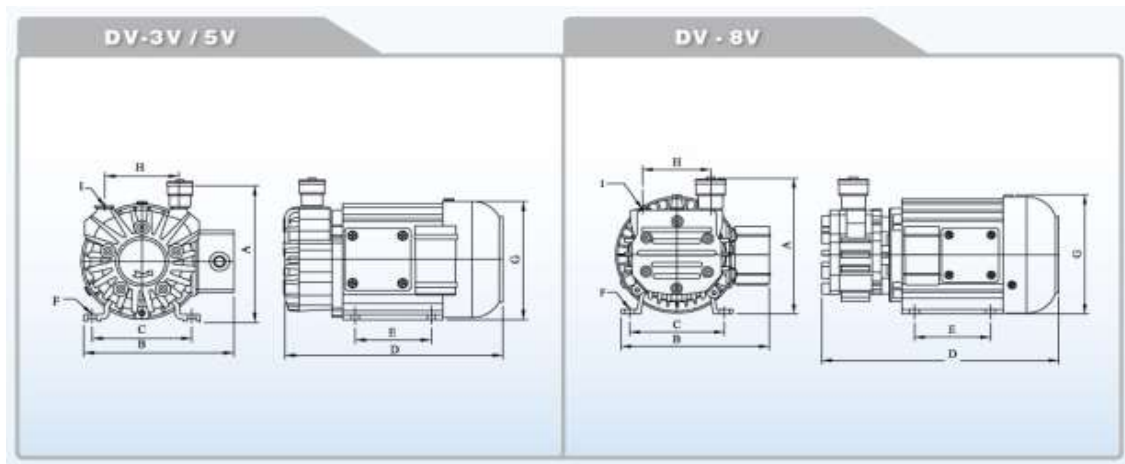


DV-5V



DV-8V

MODEL	TYPE	Hz	L/min	TORR	KPa (abs)	POLE	VOLT	kW	Db	°C
DV-3V	ROTARY VANE	50	57/70	90	12	4	220	0.25	56/58	7-40
DV-5V			100/113	90	12	2		0.4	58/60	
DV-8V			100/120	90	12	4		0.4	60/62	



MODEL	A	B	C	D	E	F	G	H	I	WEIGHT
DV-3V	135	154	100	216	80	7	122	68	1/8"	6.5 kg
DV-5V	135	154	100	216	80	7	122	68	1/8"	6.5 kg
DV-8V	175	168	112	245	90	7	145	82	3/8"	11.5 kg

AUXILIARY EQUIPMENT AND SPARES



Head Office: 135 Snapper Road, Wadeville, P.O Box 18093, Rand Airport, Wadeville, 1419
 TEL: +27 11 827 1536

Info@vacserve.co.za

Durban Office: New Era House, 6 Joseph Ave, P.O Box 20903, Durban North, 4016
 TEL: +27 31 572 4495

